



## MANIFOLD CONNECTORS

### DESCRIPTION

The Fike ProInert™ Manifold Collector Assemblies are available for 10, 15, 20 and 30 cylinder configurations.

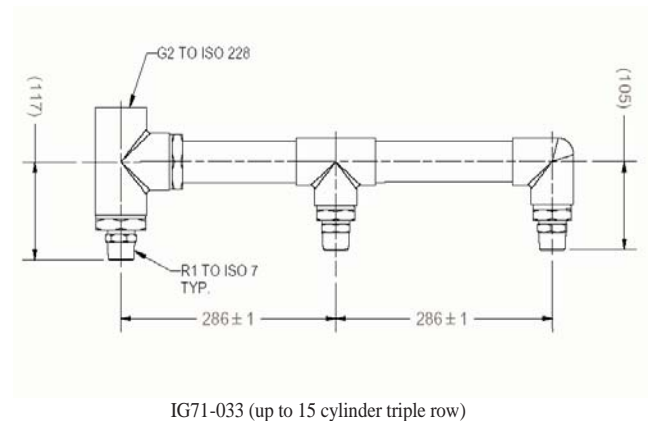
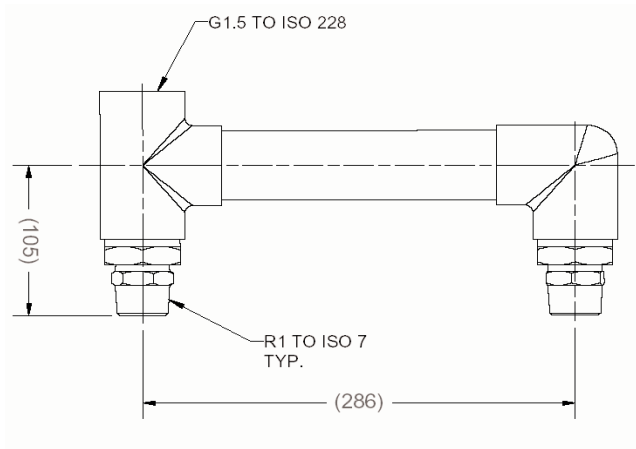
Each manifold connector comes pre-assembled to allow connection to the standard ProInert Manifolds.

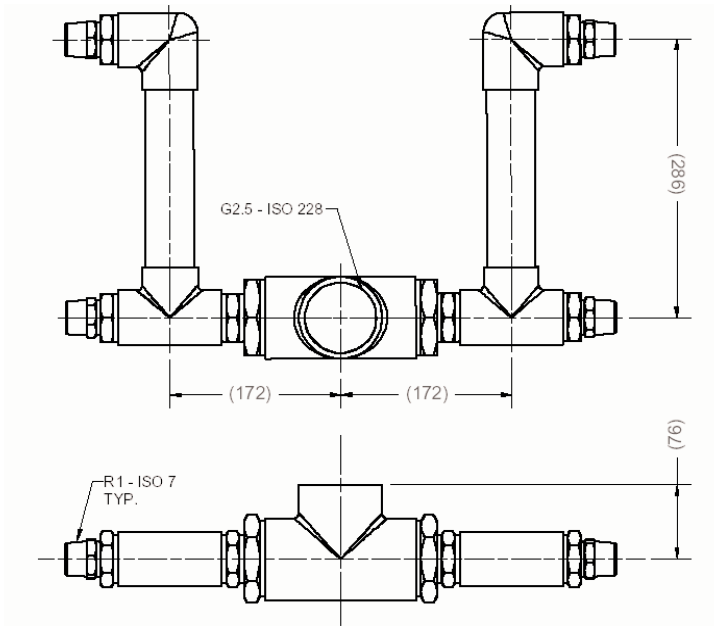
### SPECIFICATIONS

- Part numbers :
  - IG71-032 (up to 10 cylinder double row)
  - IG71-033 (up to 15 cylinder triple row)
  - IG71-034 (up to 20 cylinder double row)
  - IG71-035 (up to 30 cylinder triple row)
- Pipe and fittings : Galvanised
- Pipe specification : BS1387 Heavy/ASTM A-106A, API5L Schedule 80
- Fittings specification : EN 10241 Seamless Test Pressure 150 bar

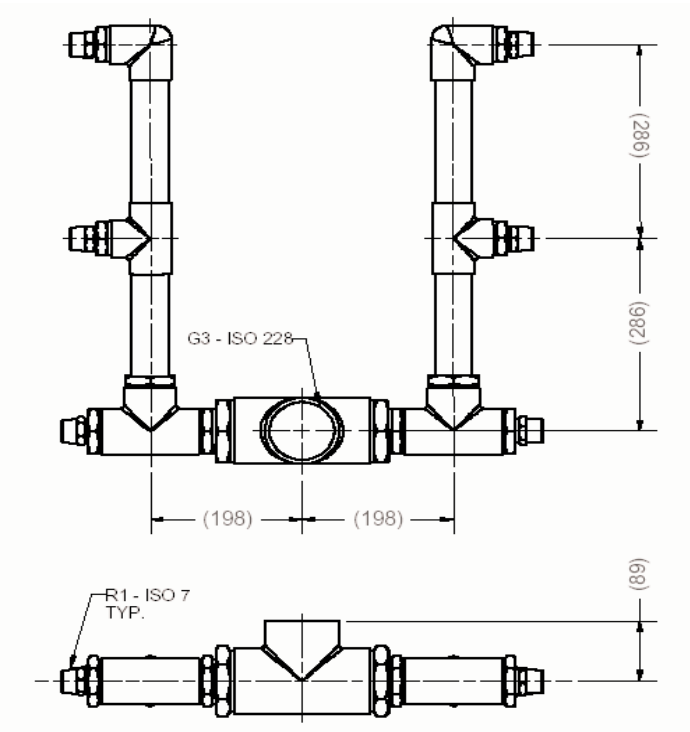
### INSTALLATION

All pipe connections are made with sealing tape. Manifold supports are supplied by others. It is recommended to use vertical Unistrut with cantilever brackets for manifold supports.





IG71-034 (up to 20 cylinder double row)



IG71-035 (up to 30 cylinder triple row)