



SOLENOID ACTUATION PACKAGE

DESCRIPTION

Each Fike ProInert Cylinder requires a ProInert Solenoid Actuation Package, P/N IG71-017, for valve activation.

The ProInert Actuation Package contains an electrically activated solenoid valve connected to a rechargeable nitrogen cylinder, that when operated allows pressure from the nitrogen cylinder to flow into the pneumatic actuator on the ProInert valve.

All necessary hoses and fittings are supplied for the connection of the solenoid actuator to the pneumatic actuator of the first cylinder valve of the ProInert system. Fittings are also included to allow connection actuators of multi-row cylinder racks. Also included is a vent valve assembly for connection to the last pneumatic actuator of the system.

By pneumatically connecting the pneumatic actuators on multiple cylinders, a single ProInert Solenoid Actuation Package can activate up to 60 ProInert discharge valves and a single slave actuation package, P/N IG71-019.

The ProInert Actuation Package may be activated electrically or manually. Electrical activation is accomplished via a 24VDC signal from the control panel. To initiate manual activation, remove the locking pin and press down on the manual activation button. Should manual actuation not be required then the manual activation button may be removed and replaced by a blanking plug (supplied separately).

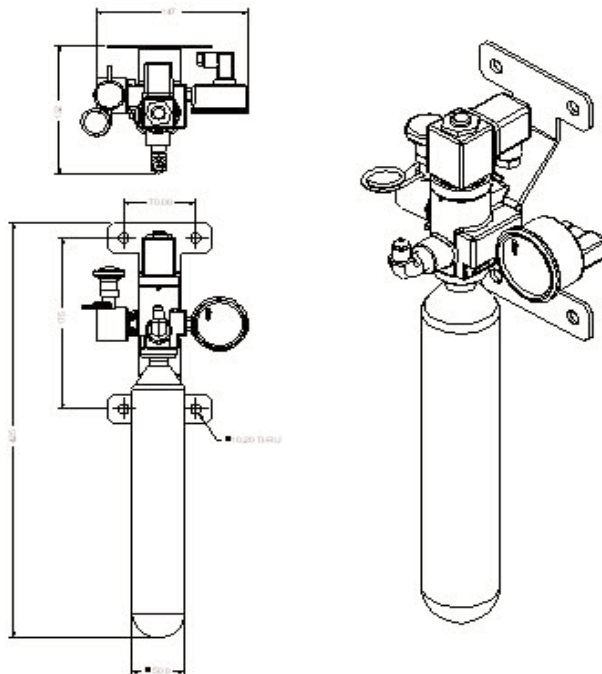
Refer to manual 06-294 for installation and manual 06-321 for recharge.

NOTE: The ProInert Actuation Package MUST be mounted in the bracket provided by Fike and the bracket MUST be securely anchored in an accessible location where it will not be damaged.

APPROVALS



Certification Number 654a



ELECTRIC SOLENOID SPECIFICATIONS	
Nominal Supply Voltage:	24VDC
Minimum Signal Duration:	2 seconds
Maximum Supervision Current	10mA
Minimum Fire Current:	0.6 Amp
Electrical Connection:	DIN 43650 (Hirshmann)
Operating Temperature Range:	-20°C to 50°C

PRESSURE SWITCH SPECIFICATIONS	
Temperature Limits:	-40°C to +60°C
Housing Classification:	IP65
Contact Rating:	Normally Closed at >120 bar. Contacts rated at 5 - 100mA
Electrical Connection:	DIN 43650 Compact (Hirshmann) Supplied with 0.3m cable
Pressure Setting:	120 bar (decreasing)

NITROGEN CYLINDER SPECIFICATIONS	
Filling Pressure:	160 barg @ 15°C Refill if pressure drops below 120 bar @ 15°C
Volume:	410 ml
Max. Exposure Temp.	65°C
Classification:	2.2
Shipping Number:	UN1066
Approvals:	TT marked



Copyright © Fike Corporation All Rights Reserved.

Form No. C.2.36.01-1 September, 2004 Specifications are subject to change without notice