



CYLINDER MOUNTING STRAPS

APPLICATION

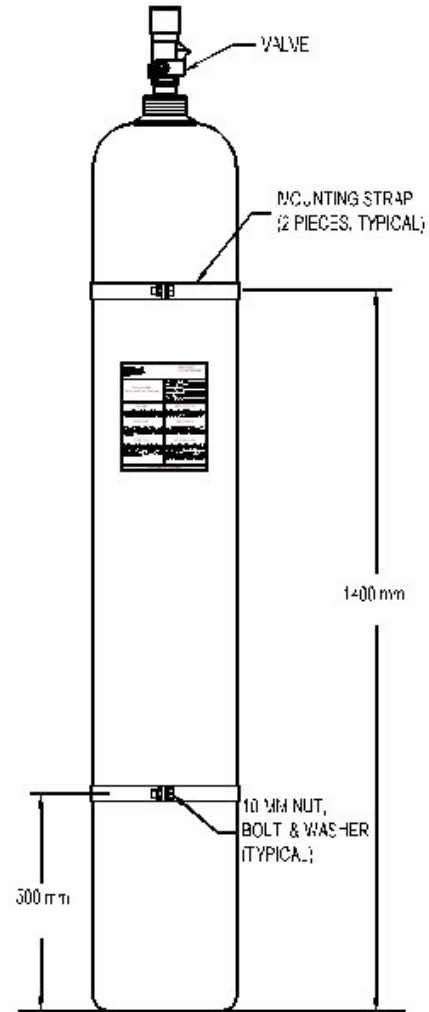
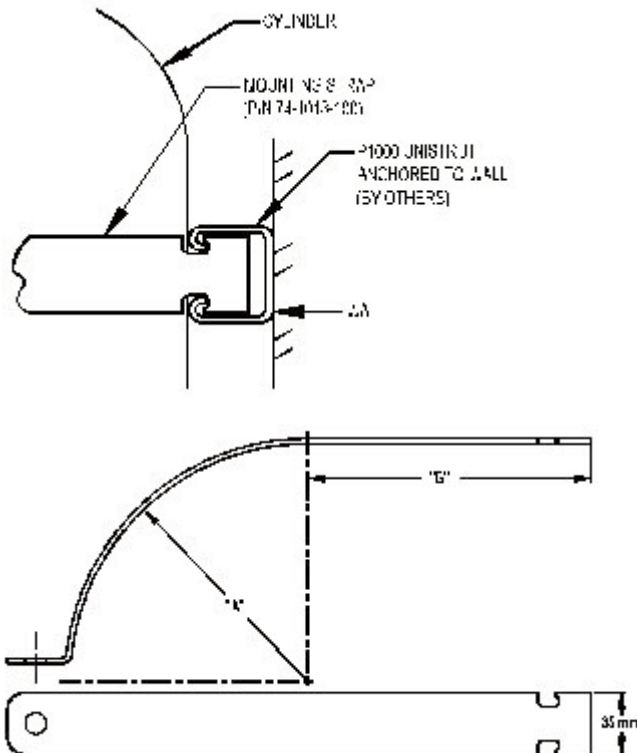
Part Number IG71-014 Cylinder Mounting Straps are used to secure 267mm diameter ProInert cylinders to a wall or other suitable mounting surface.

DESCRIPTION

The Mounting Strap Assembly is a two-piece unit that clips into the Unistrut® Channel on each side of the cylinder and bolts together in front of the cylinder. Each cylinder requires two Mounting Strap Assemblies to properly secure the cylinder during a system discharge. The components listed in the table below provide the necessary hardware to secure one cylinder assembly.

Material: Carbon Steel, White Plastic Coated

Qty	Description
4	Mounting Strap
2	10mm Nut
2	10mm Bolt
2	10mm Washer



Data Sheet

This page left intentionally blank.

